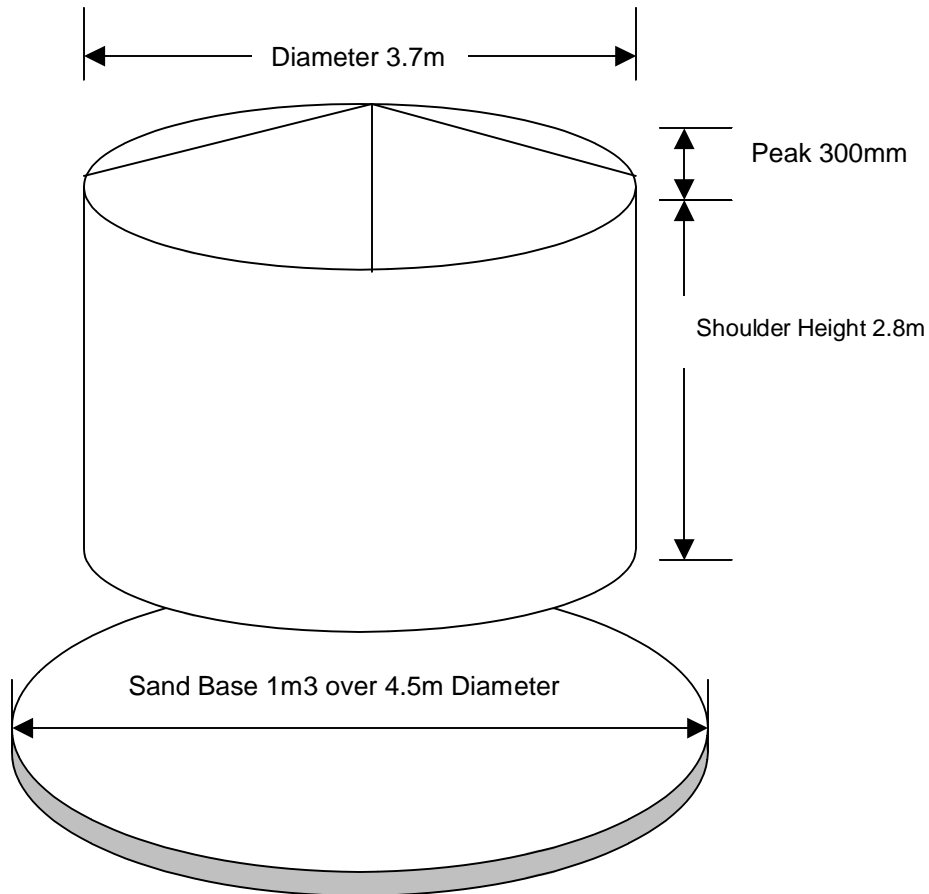


## Tank - 6000 Gallon (27000litre)



Volume: 6000 Gallon/27000 Litre

Diameter: 3.7m

Shoulder Height: 2.8m

Total Height: 3.1m

Sand Base: 1m<sup>3</sup> (Trailer Load) Spread over 4.5m Diameter to depth of 50-75mm.