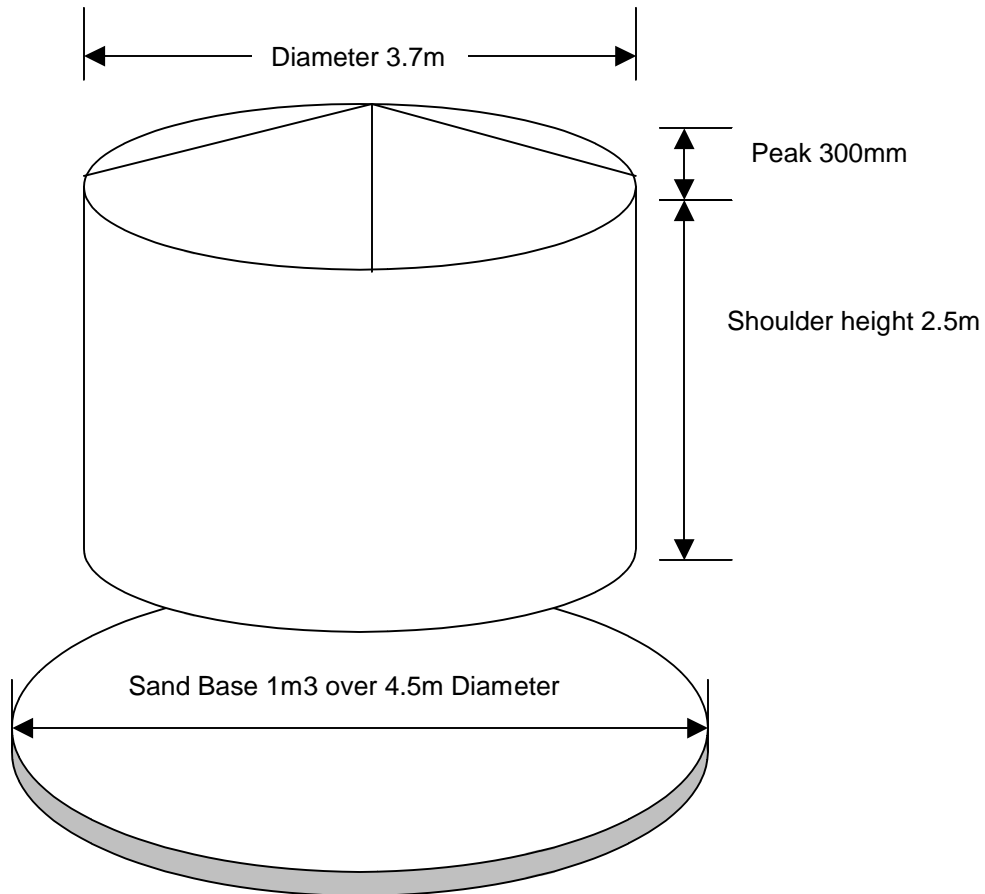


Tank - 5000 Gallon (22500litre)



Volume: 5000 Gallon/22500 Litre

Diameter: 3.7m

Shoulder Height: 2.5m

Total Height: 2.8m

Sand Base: 1m³ (Trailer Load) Spread over 4.5m Diameter to depth of 50-75mm.